

**INDIAN SCHOOL MUSCAT
PRIMARY SECTION**

Subject: SCIENCE	Semester II	Name:	
Topic : The Earth	Worksheet No. 3	Std : III	Sec. _____
Resource Person: Ms. Smitha Rajesh		Roll No. ___	
Teacher's Signature:		Date:	

I. Name the following.

- 1. The heavenly body that moves around a planet. _____**
- 2. The Earth is surrounded by the layer of air. _____**
- 3. The imaginary line that runs from top to bottom of the earth. _____**
- 4. Hot melted rock that comes from the mantle of the earth. _____**
- 5. The path of the earth around the sun. _____**

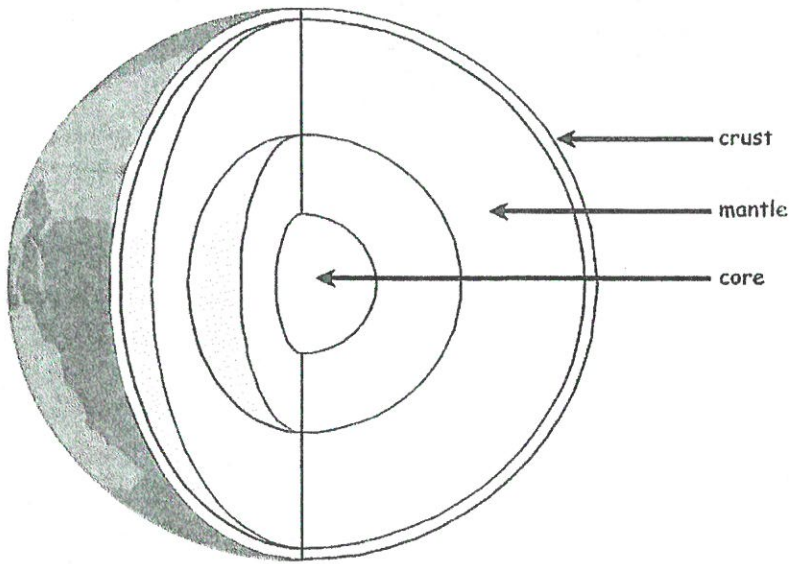
II. Differentiate between rotation and revolution .

ROTATION	REVOLUTION

III. Think and Answer.

- 1. What will happen if the axis of the earth has no tilt?**

IV. Look at the picture and answer the questions given below.



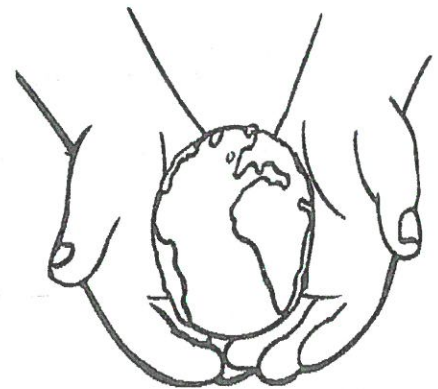
a. Identify the picture. _____

b. Which part of the earth produces lava?

c. What is crust? Why is it suitable for life?

V. Justify the statement.

“ Earth is the only planet where life exists”.What can you do as a student to ensure that our earth is a better place to live in? Give 2 points.



Take Care of the Earth